

RP1191 - RP1191K

PARACOPPA - OIL CARTER PROTECTOR - SABOT MOTEUR - SPEZIFISCHER MOTORSCHUTZ - CUBRE CARTER - COBRE CARTER

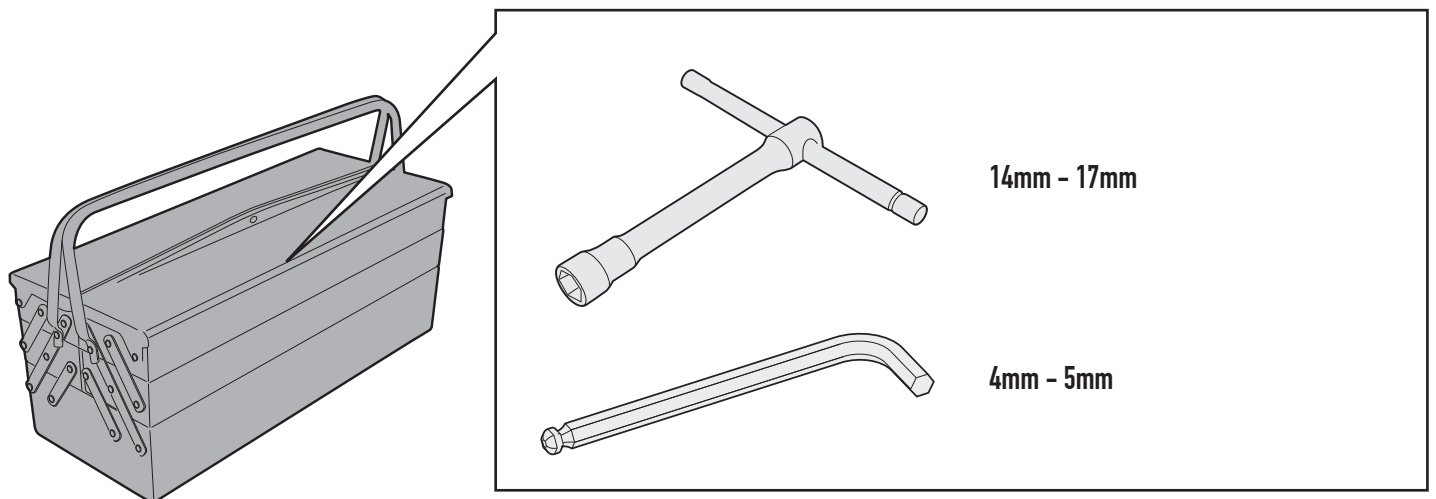
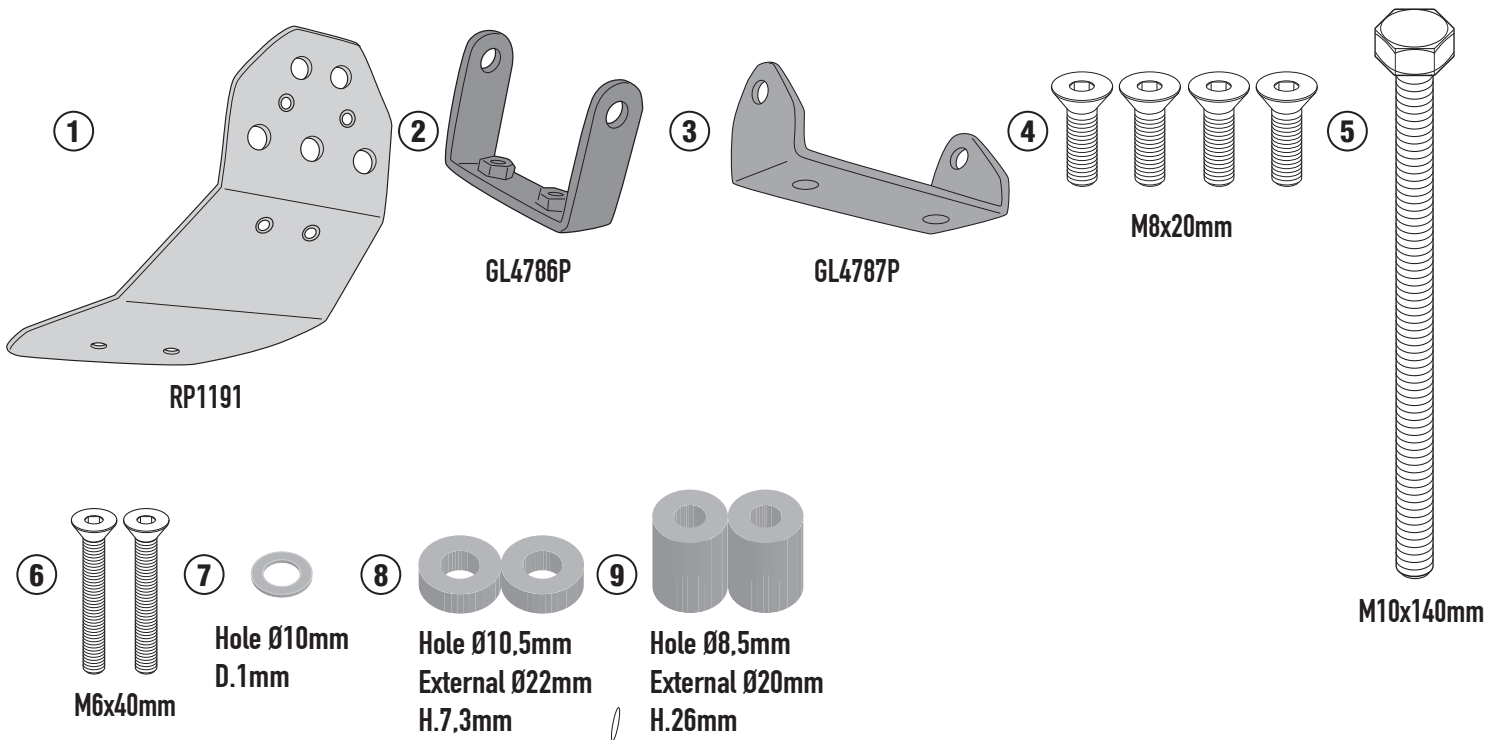
HONDA CRF300L (2021)

N°	Descrizione/Description	Caratteristiche/Features	Codice/Code	Quantità/Quantity
1	Paracoppa - Oil Carter Protector Sabot Moteur - Spezifischer Motorschutz Cubre Carter - Cobre Carter	-	RP1191	1
2	Supporto superiore - Support higher - Support supérieur Halterung höher - Soporte superior - Apoio superior	-	GL4786P	1
3	Supporto inferiore - Lower support - Support inférieur Soporte inferior - Untere Halterung - Suporte inferior	-	GL4787P	1
4	Vite - Screw Vis - Schraube Tornillo - Parafuso	TSPX M8x20	820TSPX	4
5	Vite - Screw Vis - Schraube Tornillo - Parafuso	TES M10x140	10140TES	1
6	Vite - Screw Vis - Schraube Tornillo - Parafuso	TSPX M6x40	640TSPX	2
7	Rondella Inox - Stainless Steel Washer Rondelle Inox - Rostfreie Unterlegscheibe Aus Stahl Arandela Inox - Arruela Lisa De Aço Inox	Foro Ø10mm Sp.1mm	101RON	1
8	Distanziale - Spacer Entretoise - Distanzstueck Distanciador - Espaçador	Ø22x7,3 Foro 10,5mm	C22L7,3F10,5T	2
9	Distanziale - Spacer Entretoise - Distanzstueck Distanciador - Espaçador	Ø20x26 Foro 8,5mm	C20L26F8,5T	2
10	Componenti Originali - Original Parts Parties Originales - Original Bauteile Componentes Originales - Componentes Originais	-	-	-

RP1191 - RP1191K

PARACOPPA - OIL CARTER PROTECTOR - SABOT MOTEUR - SPEZIFISCHER MOTORSCHUTZ - CUBRE CARTER - COBRE CARTER

HONDA CRF300L (2021)

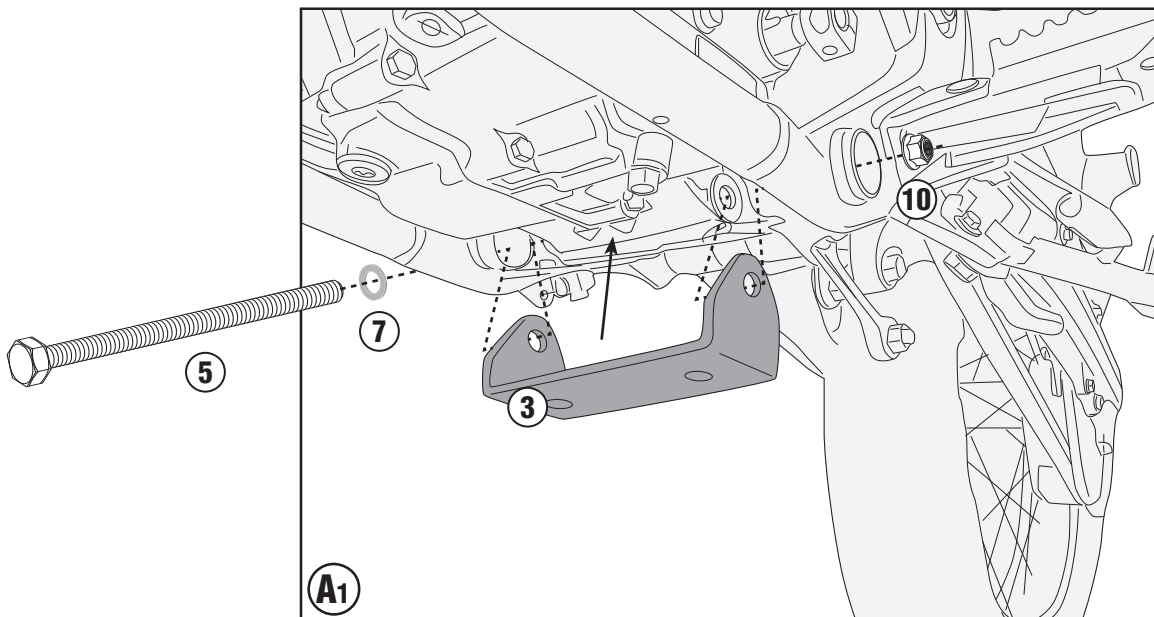
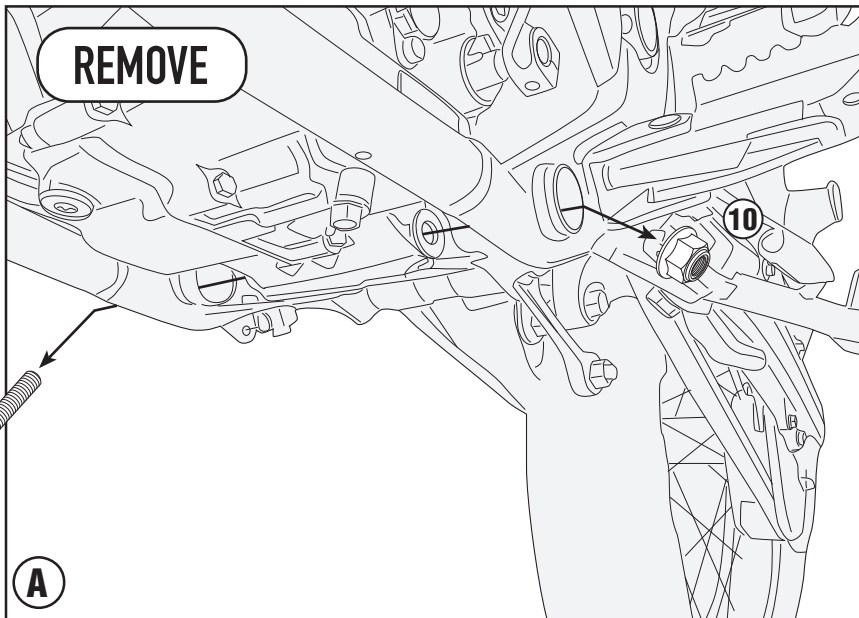
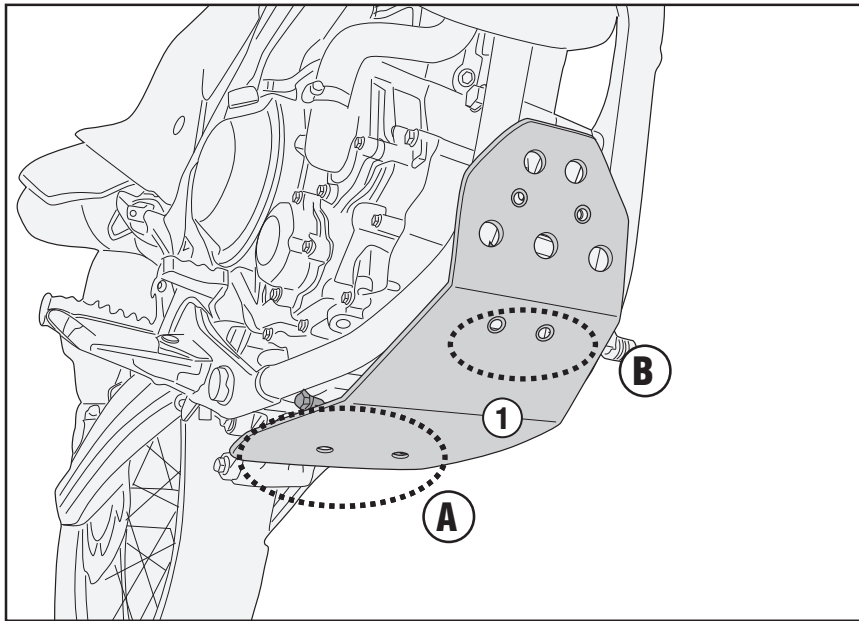


ISTRUZIONI DI MONTAGGIO - MOUNTING INSTRUCTIONS
 INSTRUCTIONS DE MONTAGE - BAUANLEITUNG
 INSTRUCCIONES DE MONTAJE - INSTRUÇÕES DE MONTAGEM

RP1191 - RP1191K

PARACOPPA - OIL CARTER PROTECTOR - SABOT MOTEUR - SPEZIFISCHER MOTORSCHUTZ - CUBRE CARTER - COBRE CARTER

HONDA CRF300L (2021)

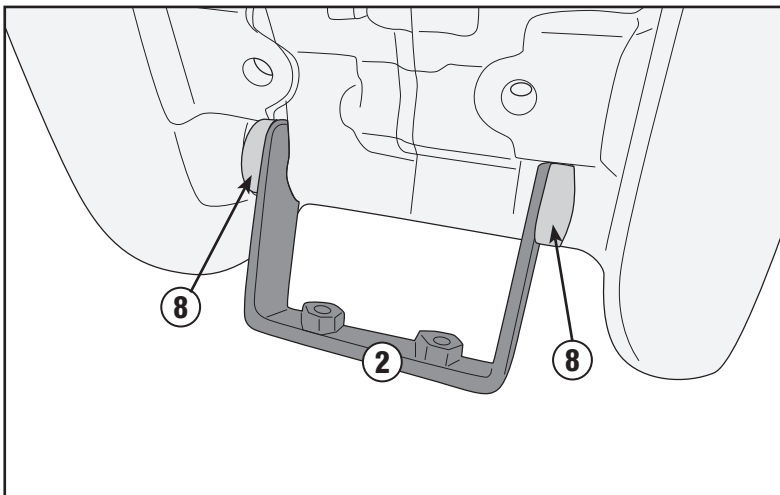
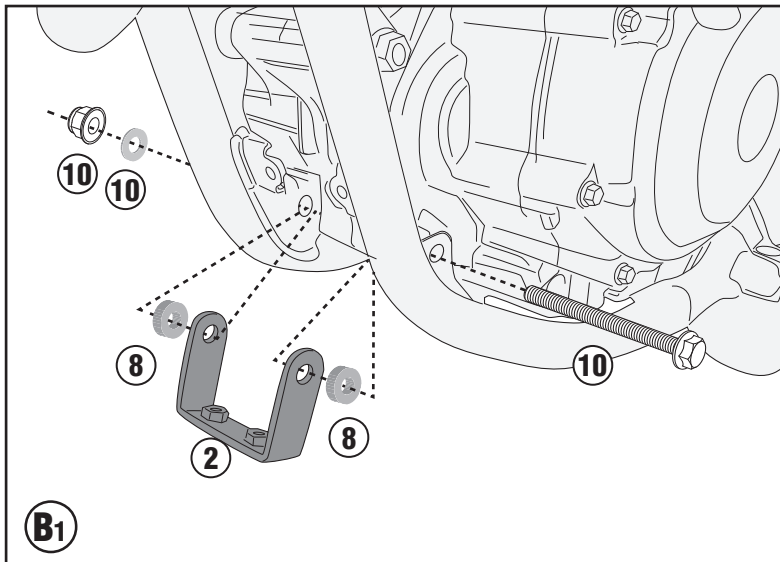
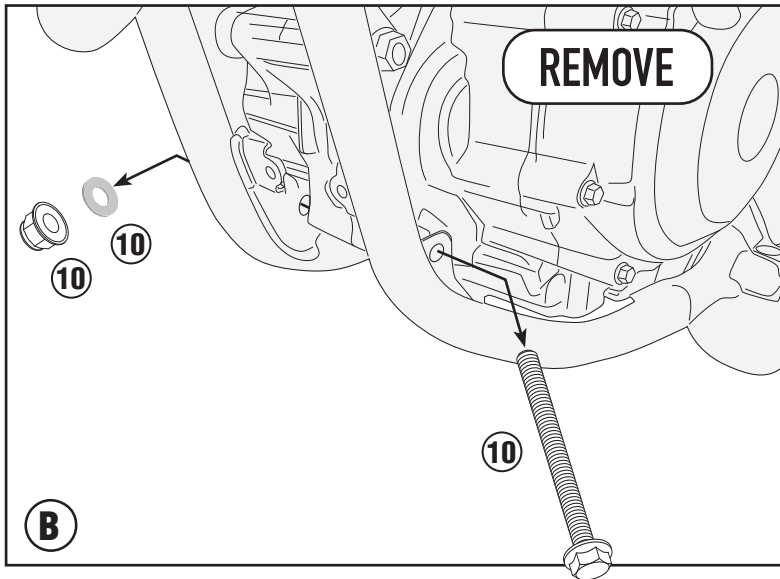


ISTRUZIONI DI MONTAGGIO - MOUNTING INSTRUCTIONS
INSTRUCTIONS DE MONTAGE - BAUANLEITUNG
INSTRUCCIONES DE MONTAJE - INSTRUÇÕES DE MONTAGEM

RP1191 - RP1191K

PARACOPPA - OIL CARTER PROTECTOR - SABOT MOTEUR - SPEZIFISCHER MOTORSCHUTZ - CUBRE CARTER - COBRE CARTER

HONDA CRF300L (2021)



RP1191 - RP1191K

PARACOPPA - OIL CARTER PROTECTOR - SABOT MOTEUR - SPEZIFISCHER MOTORSCHUTZ - CUBRE CARTER - COBRE CARTER

HONDA CRF300L (2021)

