

# RP5140 – RP5140K

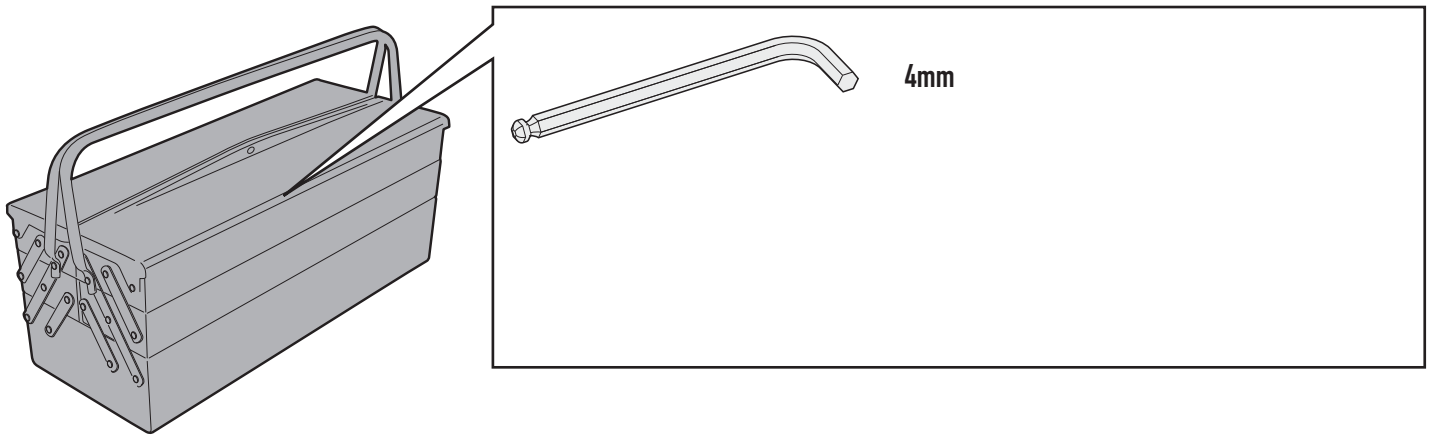
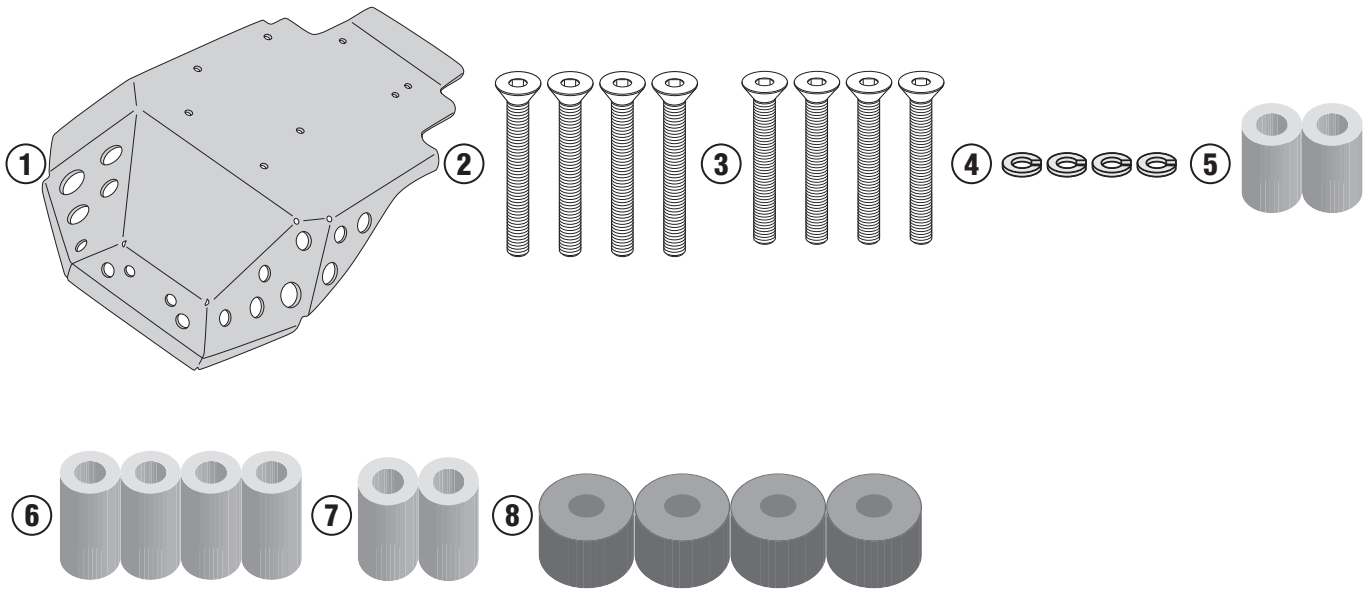
PARACOPPA – OIL CARTER PROTECTOR – SABOT MOTEUR – SPEZIFISCHER MOTORSCHUTZ – CUBRE CARTER – COBRE CARTER  
**BMW F750 GS (2018/2021) / BMW F850GS (2018/2021)**

N°	Descrizione	Caratteristiche	Codice	Quantità
1	Paracoppa - Oil Carter Protector Sabot Moteur - Spezifischer Motorschutz Cubre Carter - Cobre Carter	-	RP5140	1
2	Vite - Screw Vis - Schraube Tornillo - Parafuso	TSP M6x45	645TSP	4
3	Vite - Screw Vis - Schraube Tornillo - Parafuso	TSP M6x43	643TSP	4
4	Rondella spaccata - Split washer Scheibe - Rondelle fendue Arandela seccionada - Arruela Dentada	Ø6	Z1063	4
5	Distanziale - Spacer Entretoise - Distanzstueck Distanciador - Espaçador	Ø16x25 Foro 8.5mm	C16L25F8,5T	2
6	Distanziale - Spacer Entretoise - Distanzstueck Distanciador - Espaçador	Ø16x32 Foro 8.5mm	C16L32F8,5T	4
7	Distanziale - Spacer Entretoise - Distanzstueck Distanciador - Espaçador	Ø16x27 Foro 8.5mm	C16L27F8,5T	2
8	Silent Block	M6 25x25	-	4
9	Componenti Originali - Original Parts Parties Originales - Original Bauteile Componentes Originales - Componentes Originais	ONLY FOR BMW F850GS	-	-
10	Particolari Inclusi nel RP5129KIT Components Included In The RP5129KIT Pièces Inclues Dans RP5129KIT Die Einzelnen Teile Sind Bei RP5129KIT Despieces Incluidos RP5129KIT Componentes incluidos na RP5129KIT	ONLY FOR BMW F750GS	-	-

# RP5140 - RP5140K

PARACOPPA - OIL CARTER PROTECTOR - SABOT MOTEUR - SPEZIFISCHER MOTORSCHUTZ - CUBRE CARTER - COBRE CARTER

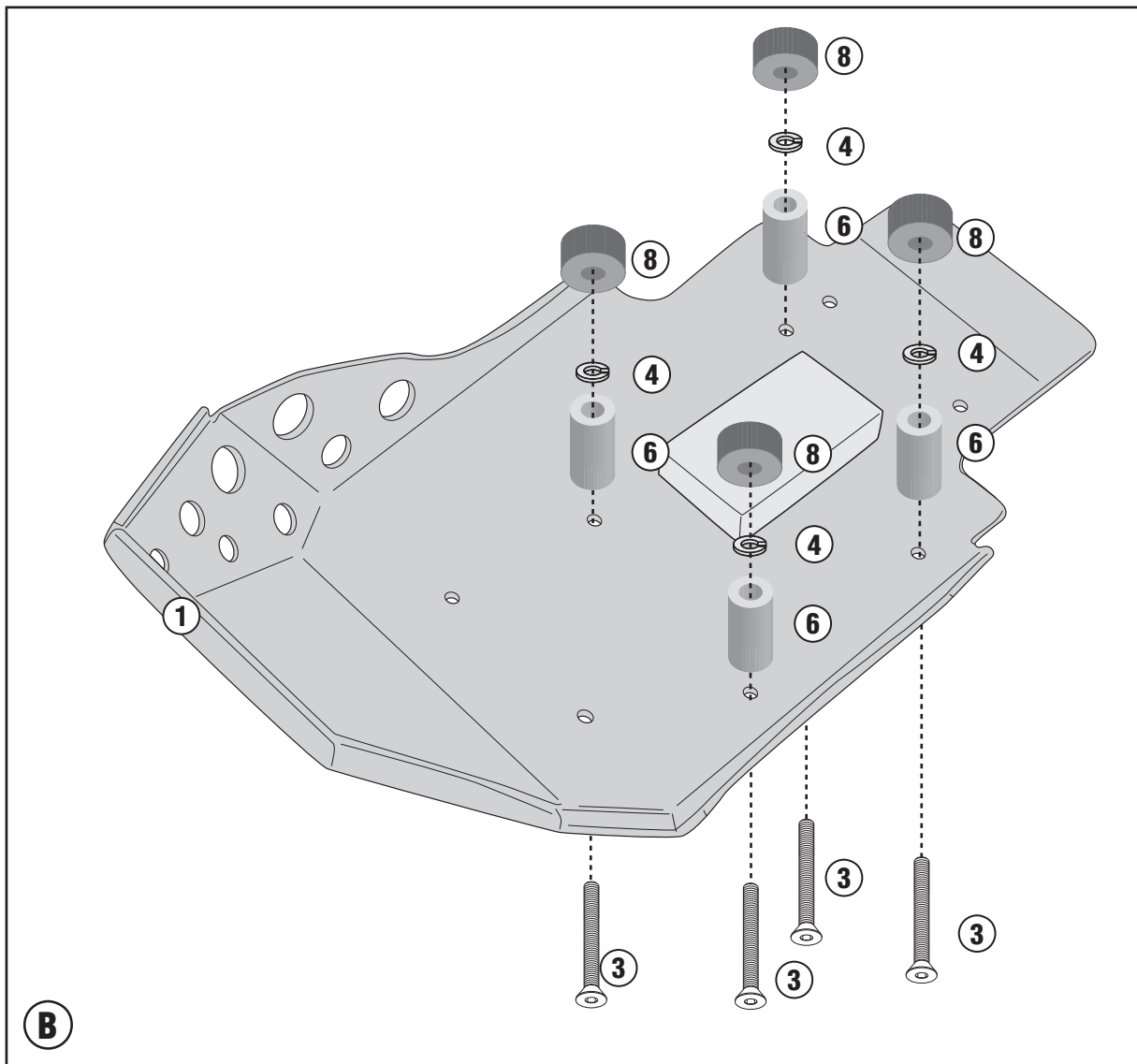
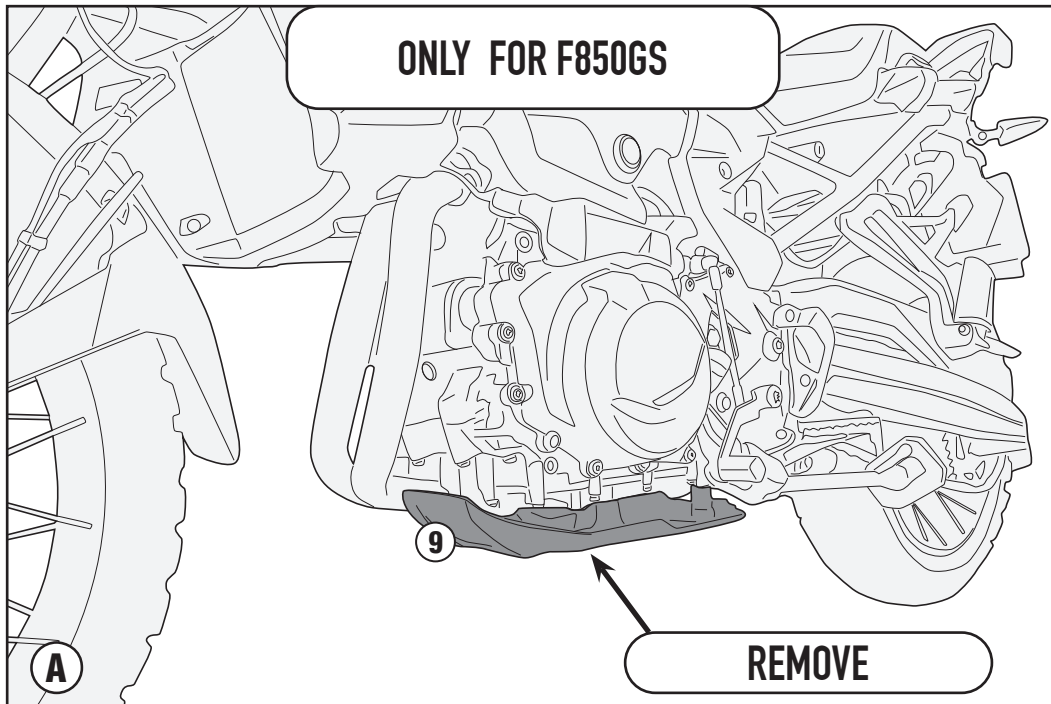
## BMW F750 GS (2018/2021) / BMW F850GS (2018/2021)



# RP5140 - RP5140K

PARACOPPA - OIL CARTER PROTECTOR - SABOT MOTEUR - SPEZIFISCHER MOTORSCHUTZ - CUBRE CARTER - COBRE CARTER

## BMW F750 GS (2018/2021) / BMW F850GS (2018/2021)



ISTRUZIONI DI MONTAGGIO - MOUNTING INSTRUCTIONS  
INSTRUCTIONS DE MONTAGE - BAUANLEITUNG  
INSTRUCCIONES DE MONTAJE - INSTRUCCIONES DE MONTAJEM

# RP5140 - RP5140K

PARACOPPA - OIL CARTER PROTECTOR - SABOT MOTEUR - SPEZIFISCHER MOTORSCHUTZ - CUBRE CARTER - COBRE CARTER

## BMW F750 GS (2018/2021) / BMW F850GS (2018/2021)

