

TR1188 - TR1188K

TELAIETTO LATERALE SPECIFICO - SPECIFIC SADDLEBAG TUBULAR HOLDER - SUPPORT TUBULAIRE POUR SACOCHES CAVALIÈRES - SPEZIAL SEITENTRAEGER FUER WEICHTASCHEN - PORTA ALFORJAS TUBULAR LATERAL - SUPORTE LATERAL DE ALFORGES

HONDA X-ADV 750 (2021)

N°	Descrizione/Description	Caratteristiche/Features	Codice/Code	Quantità/Quantity
1	REMOVE X	-	-	2(Right; Left)
2	Telaio laterale - Side frame - Châssis latéral Soporte lateral - Seitenrahmen - Suporte lateral	-	TR02DXV TR02SXV	2 (Right: Left)
3	Supporto - Support Support - Halterung Soporte - Apoio	RIGHT SIDE	GL5039V	1
4	Supporto - Support - Support - Halterung Soporte - Apoio	LEFT SIDE	GL5043V	1
5	Deviatore Gas Di Scarico - Exhaust Gas Diverter Embout Derivation Gaz Echappement Desviador De Gas De Escape Abgasableiter - Desvio De Gas Do Tubo De Escape	RIGHT SIDE	GL5056V	1
6	Vite - Screw - Vis - Schraube Tornillo - Parafuso	TBEIFL M6x20	620TBEIFL	4
7	Vite - Screw - Vis - Schraube Tornillo - Parafuso	TBEI M8x60	860TBEI	4
8	Vite - Screw - Vis - Schraube Tornillo - Parafuso	TBEIFN M6x14	614TBEIFN	3
9	Rondella Inox - Stainless Steel Washer Rondelle Inox - Rostfreie Unterlegscheibe Aus Stahl Arandela Inox - Arruela Lisa De Aço Inox	Foro Ø8mm/ Esterno Ø14mm Sp.0,3mm	805RONX	4
10	Rondella spaccata - Split washer Scheibe - Rondelle fendue Arandela seccionada - Arruela Dentada	Foro Ø8mm	Z1060	4
11	Distanziale - Spacer Entretoise - Distanzstueck Distanciador - Espaçador	Ø20x22 Foro 9mm	C20L22F9T	4
12	Distanziale - Spacer Entretoise - Distanzstueck Distanciador - Espaçador	Ø16x3 Foro 8,5mm	C16L3F8,5T	4
13	Dado - Bolt - Ecrou Mutter - Tuerca - Porca	Dado Auto Bloccante Flangiato Alto M6 (H.9mm)	6DADIAFLN	4
14	Dado - Bolt - Ecrou Mutter - Tuerca - Porca	Dado Auto Bloccante Flangiato Ribassato Metalblock M6 (H.6mm)	6DADIAFL	3
15	Tappo - Cap - Fiche - Stecker Enchufe - Capa	-	10COP	4
16	Distanziale - Spacer Entretoise - Distanzstueck Distanciador - Espaçador	-	V1107	4

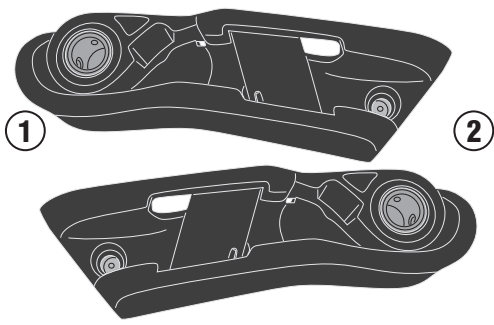


IT_ NON AGGRAPPARSI AI TELAIETTI REMOVE-X
 EN_ Do not hold on to REMOVE-X frames
 FR_ Ne pas s'agripper aux supports REMOVE-X
 ES_ No agarrarse a los soportes REMOVE-X
 DE_ Nicht an dem REMOVE-X Tragrahmen festhalten
 PT_ Não segurar aos suportes REMOVE X

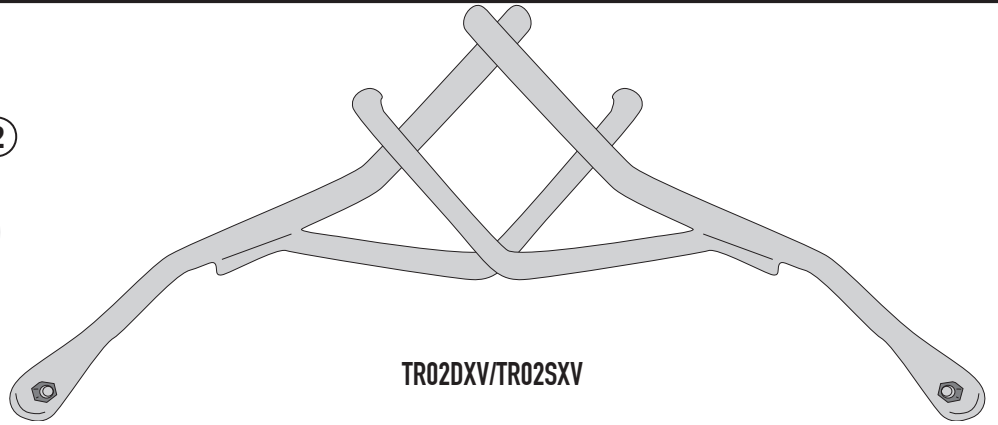
TR1188 - TR1188K

TELAIETTO LATERALE SPECIFICO - SPECIFIC SADDLEBAG TUBULAR HOLDER - SUPPORT TUBULAIRE POUR SACOCHES CAVALIÈRES - SPEZIAL SEITENTRAEGER FUER WEICHTASCHEN - PORTA ALFORJAS TUBULAR LATERAL - SUPORTE LATERAL DE ALFORGES

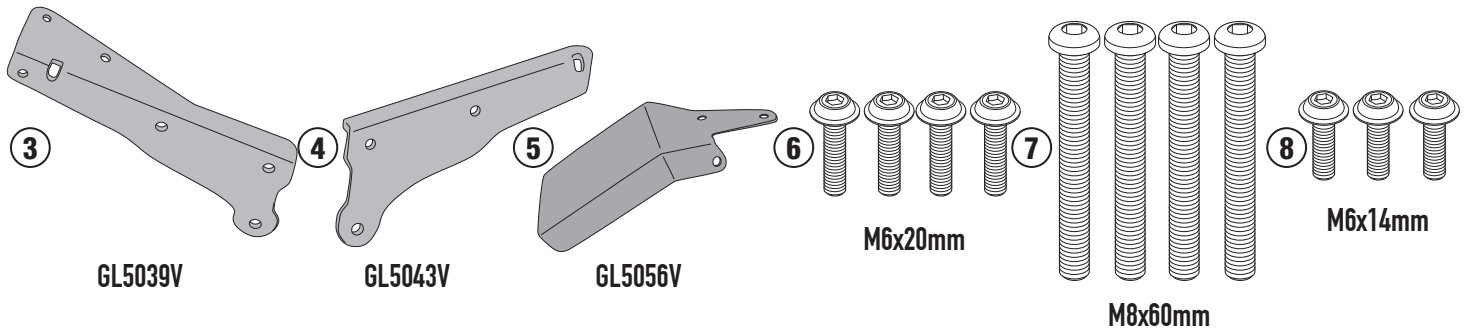
HONDA X-ADV 750 (2021)



REMOVE X



TR02DXV/TR02SXV



GL5039V

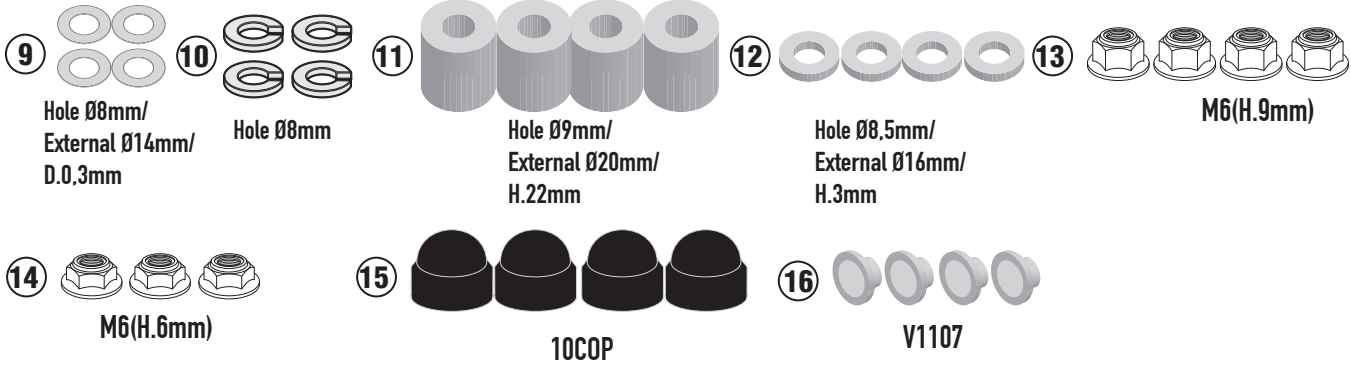
GL5043V

GL5056V

M6x20mm

M8x60mm

M6x14mm



Hole \varnothing 8mm/
External \varnothing 14mm/
D.O.3mm

Hole \varnothing 8mm

Hole \varnothing 9mm/
External \varnothing 20mm/
H.22mm

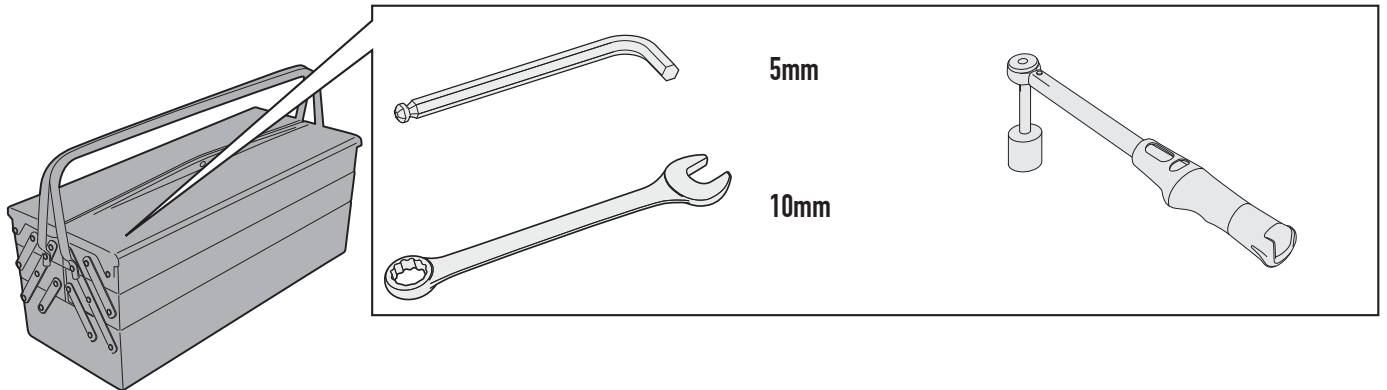
Hole \varnothing 8.5mm/
External \varnothing 16mm/
H.3mm

M6(H.9mm)

M6(H.6mm)

10COP

V1107



5mm

10mm



CHECK THE SCREW LENGTH HERE

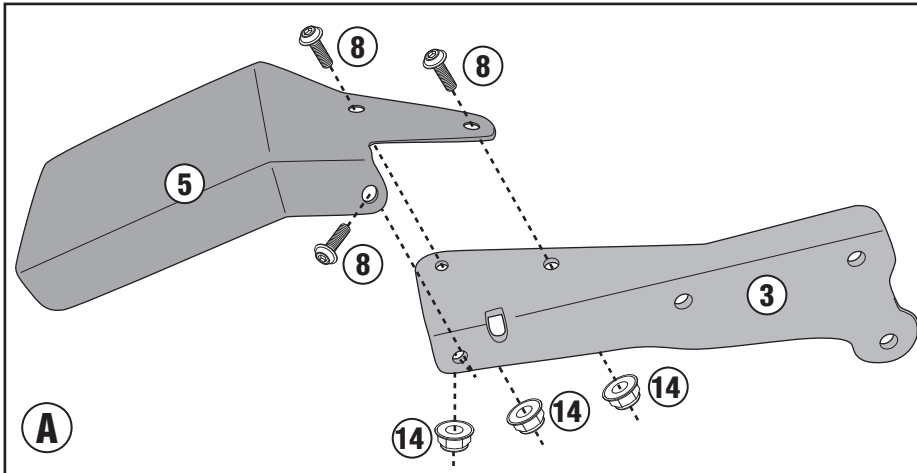
ISTRUZIONI DI MONTAGGIO - MOUNTING INSTRUCTIONS
INSTRUCTIONS DE MONTAGE - BAUANLEITUNG
INSTRUCCIONES DE MONTAJE - INSTRUCCIONES DE MONTAJE

TR1188 - TR1188K

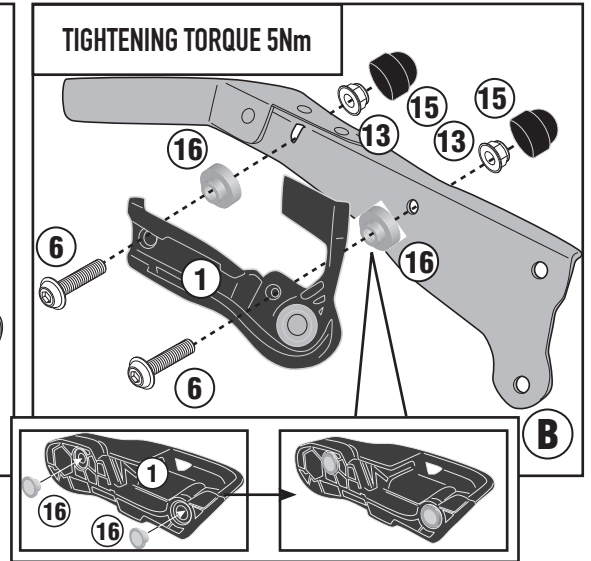
TELAIETTO LATERALE SPECIFICO - SPECIFIC SADDLEBAG TUBULAR HOLDER - SUPPORT TUBULAIRE POUR SACOCHES CAVALIÈRES - SPEZIAL SEITENTRAEGER FUER WEICHTASCHEN - PORTA ALFORJAS TUBULAR LATERAL - SUPORTE LATERAL DE ALFORGES

HONDA X-ADV 750 (2021)

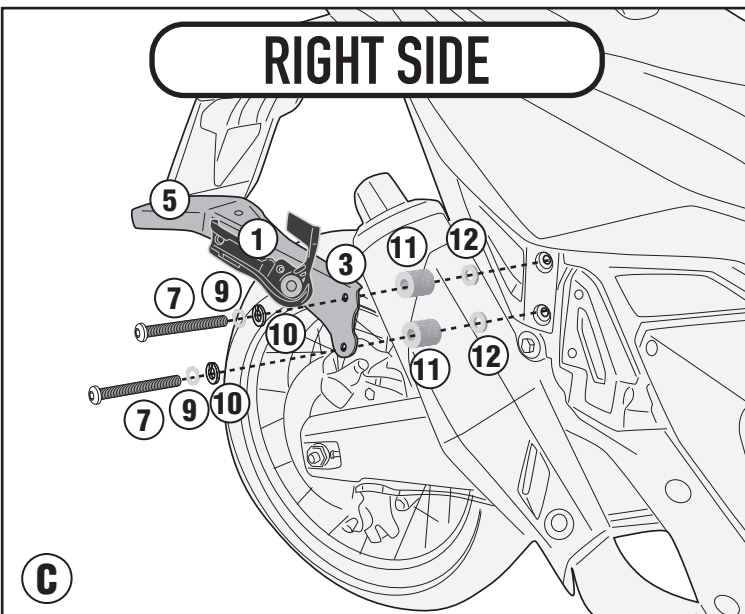
RIGHT SIDE



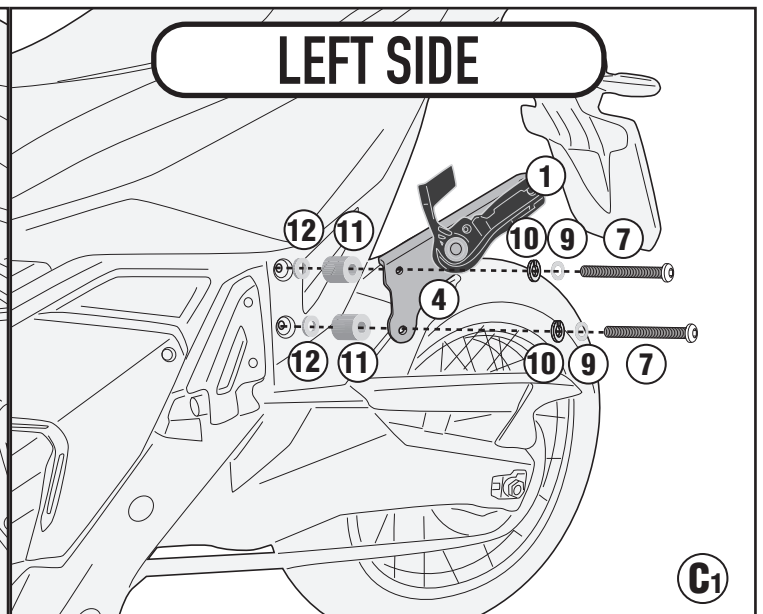
RIGHT SIDE/LEFT SIDE



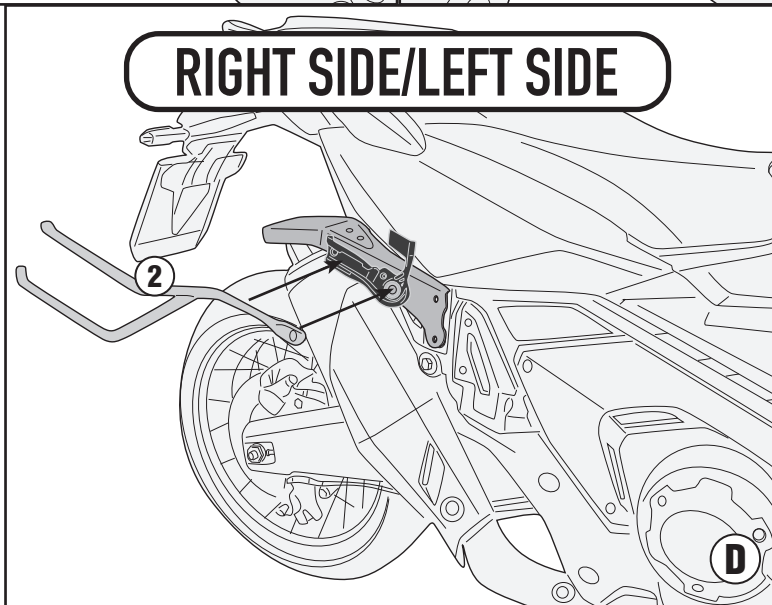
RIGHT SIDE



LEFT SIDE



RIGHT SIDE/LEFT SIDE



ISTRUZIONI DI MONTAGGIO - MOUNTING INSTRUCTIONS
INSTRUCTIONS DE MONTAGE - BAUANLEITUNG
INSTRUCCIONES DE MONTAJE - INSTRUCCIONES DE MONTAJE

TR1188 - TR1188K

TELAIETTO LATERALE SPECIFICO - SPECIFIC SADDLEBAG TUBULAR HOLDER - SUPPORT TUBULAIRE POUR SACOCHES CAVALIÈRES - SPEZIAL SEITENTRAEGER FUER
WEICHTASCHEN - PORTA ALFORJAS TUBULAR LATERAL - SUPORTE LATERAL DE ALFORGES

HONDA X-ADV 750 (2021)

